

Control Units for (UV-)Systems ZCON-mini ZCON-mini-FP

easy to use: Compact Control System for (UV-)Systems Automation



ZCON-mini



ZCON-mini-FP
(with frontpanel)

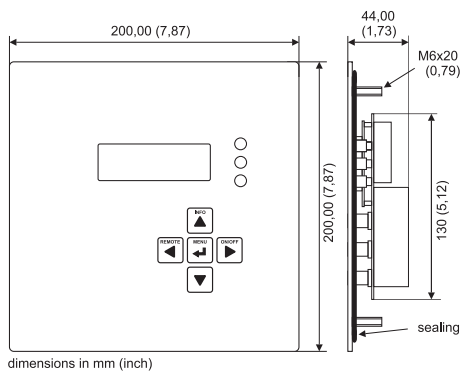
Features

- ⇒ control of up to 16 single or twin ZED microprocessor ballasts (= up to 32 UV-lamps)
 - start / stop ballast
 - control lamp parameters
 - state monitoring of each lamp and ballast
 - operation hour / cycle / lamp replace counter
- ⇒ system operation and state indication via alphanumeric display
 - user operation parameters adaptable by customer
 - multi language user interface
 - remote operation via external control switch
- ⇒ state forwarding via relays
 - system state / warnings / errors
- ⇒ UV monitoring
 - using up to four ZED digital UV sensors
- ⇒ temperature monitoring / overheating protection
 - using internal and external sensors
- ⇒ automatic restart function after error events
- ⇒ ready for certification according to DVGW W294-3 and OENORM M5873-1 standard
- ⇒ additional ports for peripherals via slavecard

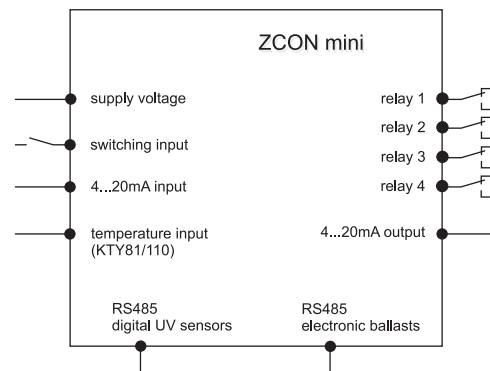
Technical Specification

mains voltage:	100...240 V AC	mains current:	0,2...0,35 A
mains frequency:	50 / 60 Hz	ambient temperature:	0...45 °C (32...113 °F)
status indication:	4 line LCD-Display, back light colours: green, yellow, red-flashing 3 LED indicators: green, yellow, red	handling:	menu based, 5 buttons languages: English, German, additional languages on request
connections:	all inputs and outputs via screw terminals (required wire gauge: 0,34...2,5mm ² / AWG 22...14)		
inputs:	<ul style="list-style-type: none"> • 1x RS-485 UV-sensor interface (up to 4 ZED digital sensors) • 1x analogue 4...20 mA • 1x potential free switching input, state: (ON-Level from 110...240 V AC, OFF-Level up to 50 V AC) • 1x semiconductor temperature sensor input (KTY81/110 / KTY81/220) 	outputs:	<ul style="list-style-type: none"> • 1x RS-485 ballast interface (up to 16 ZED microprocessor controlled electronic ballasts) • 1x analogue 4...20 mA • 4x potential free relays contacts (resistive load: 50...500mA at 24...230V AC; 50...500mA at 5...60V DC)
dimensions (w/h/d):	ZCON-mini 130x130x44 mm / 350 g ZCON-mini-FP 200x200x44 mm / 1.100 g	protection level:	ZCON-mini - IP00 ZCON mini FP - IP65 at front if mounted
weight:	to be mounted in a closed cabinet (mounting drawing on request)		
mounting:	to be mounted in a closed cabinet (mounting drawing on request)		
recommended sensors:	D-SiCONORM-LP, D-SiCDVGW-LP, D-SiC131, D-SiC133	recommended ballasts:	up to 16 single or twin ZED microprocessor controlled electronic ballasts
optional software modules:	<ul style="list-style-type: none"> • fan module (status and temperature controlled fan operation, e.g. for forced ballast cooling) • dimming module (lamp control via 4...20 mA input) • UV value output module (forwarding UV value to PLC via 4...20 mA output) • timer module (cyclic switching of relays, e.g. for valve operation) • interval flushing module (cyclic / temperature controlled relay operation, e.g. for reactor flushing) ...customer specific modules on request		

Dimensions



Connections



subject to change

**For use in chemical and biological inactive environment only!
To be installed by specialized staff.**