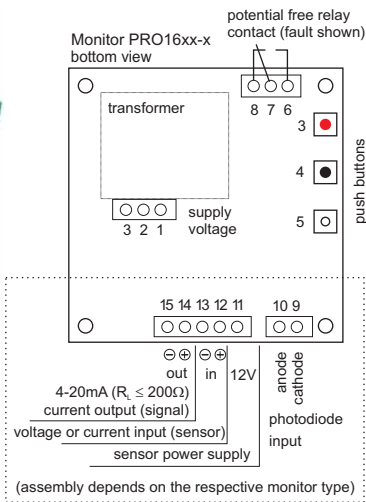




# UV-Monitor PRO16 with Relay Contacts, Status Indication by LCD, Integrated Hour Counter

The monitor is intended for monitoring of absolute/relative uv-intensity.



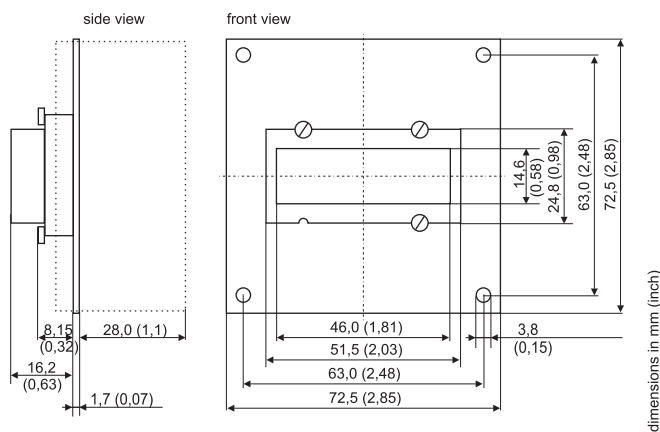
### Features

- various input types
- uv intensity
  - absolute measurement by using a calibrated sensor
  - relative measurement by using a photodiode
- automatic sensitivity adjustment (photodiode)
- 2\*12 digit display (red/green backlight)
- internal clock
- global and user hour counter
- adjustable end of lamp lifetime alarm
- adjustable uv-low alarm
- fault relay - potential free relay contact
- menu lock

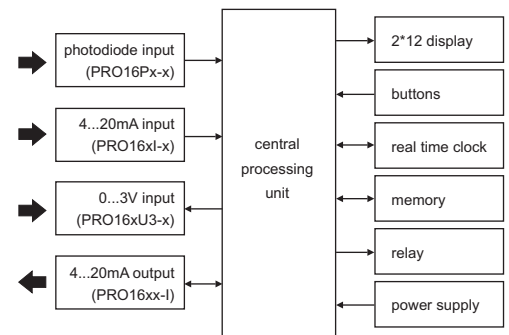
### Available Monitor Types

	PRO16P	PRO16I	PRO16U3	PRO16I-I	PRO16U3-I	PRO16PI	PRO16PU3	PRO16PI-I	PRO16PU3-I
photodiode input	X					X	X	X	X
4...20mA current input		X		X		X		X	
0...3V voltage input			X		X		X		X
4...20mA current output				X	X			X	X
absolute measurement		X	X	X	X	X	X	X	X
relative measurement	X	X	X	X	X	X	X	X	X
sensor power supply +12V DC stabilised		X	X	X	X	X	X	X	X

### Dimensions



### Block schematic



### Technical Specification

<b>mains voltage:</b>	230V AC ± 10% 50/60Hz 2W	<b>CE-conform:</b>	yes
<b>mains frequency:</b>	45...65Hz	<b>ambient temperature:</b>	0...40°C
<b>display:</b>	2*12 digits, green or red back lighting for status indication, adjustment of contrast by menu		
<b>handling:</b>	menu-driven handling and programming by 3 push-buttons		
<b>language:</b>	alternatively English or German		
<b>dimensions (w/h/l):</b>	(72,5/44/72,5)mm	<b>weight:</b>	200g
<b>relay contact:</b>	load: 20-200mA at 24V-120V AC / 20-500mA at 5V- 24V DC		
<b>running time of the clock:</b>	approx. 8 years		

Please consider the safety instructions in the installation and operating manual.  
For use in dry environment only!